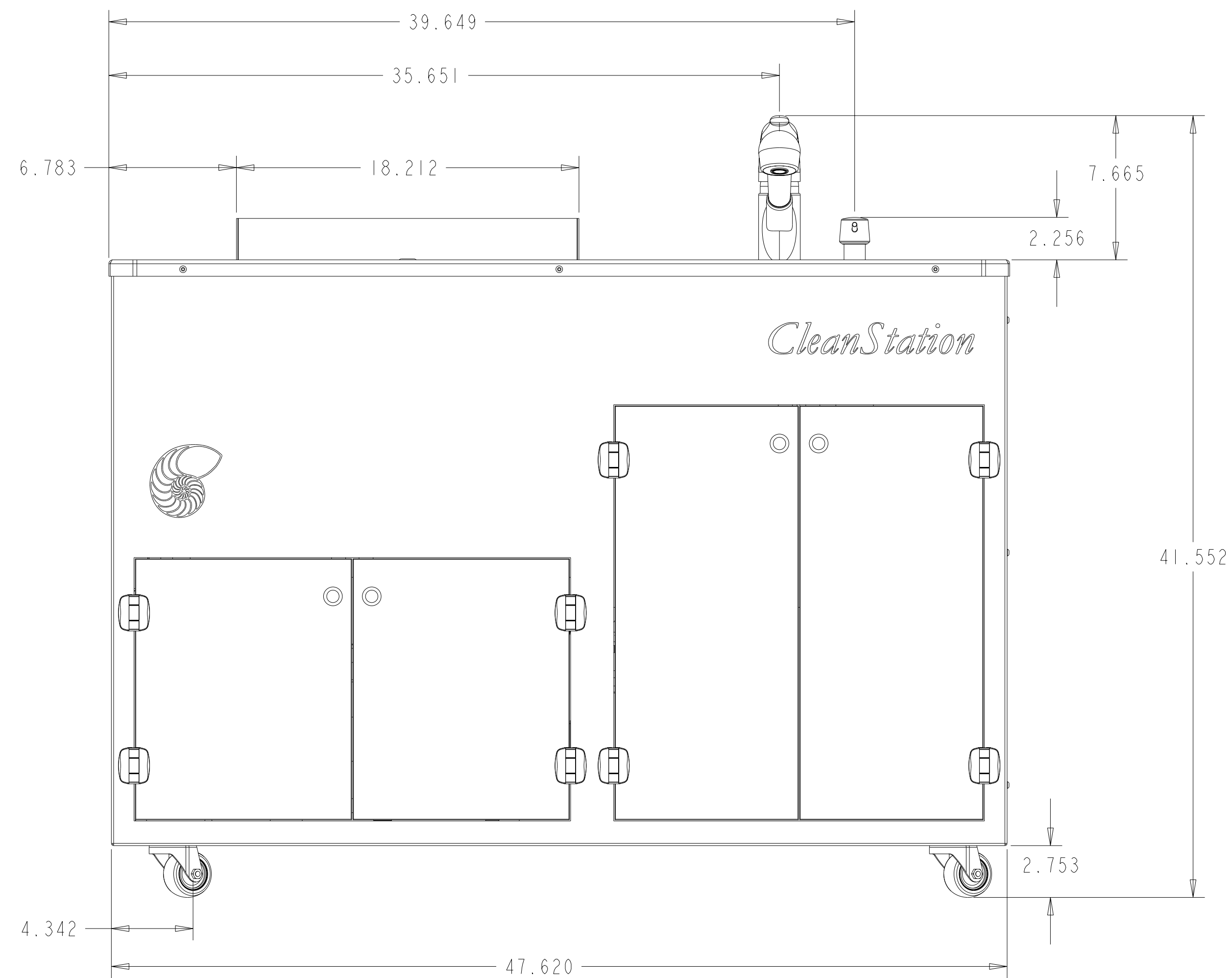
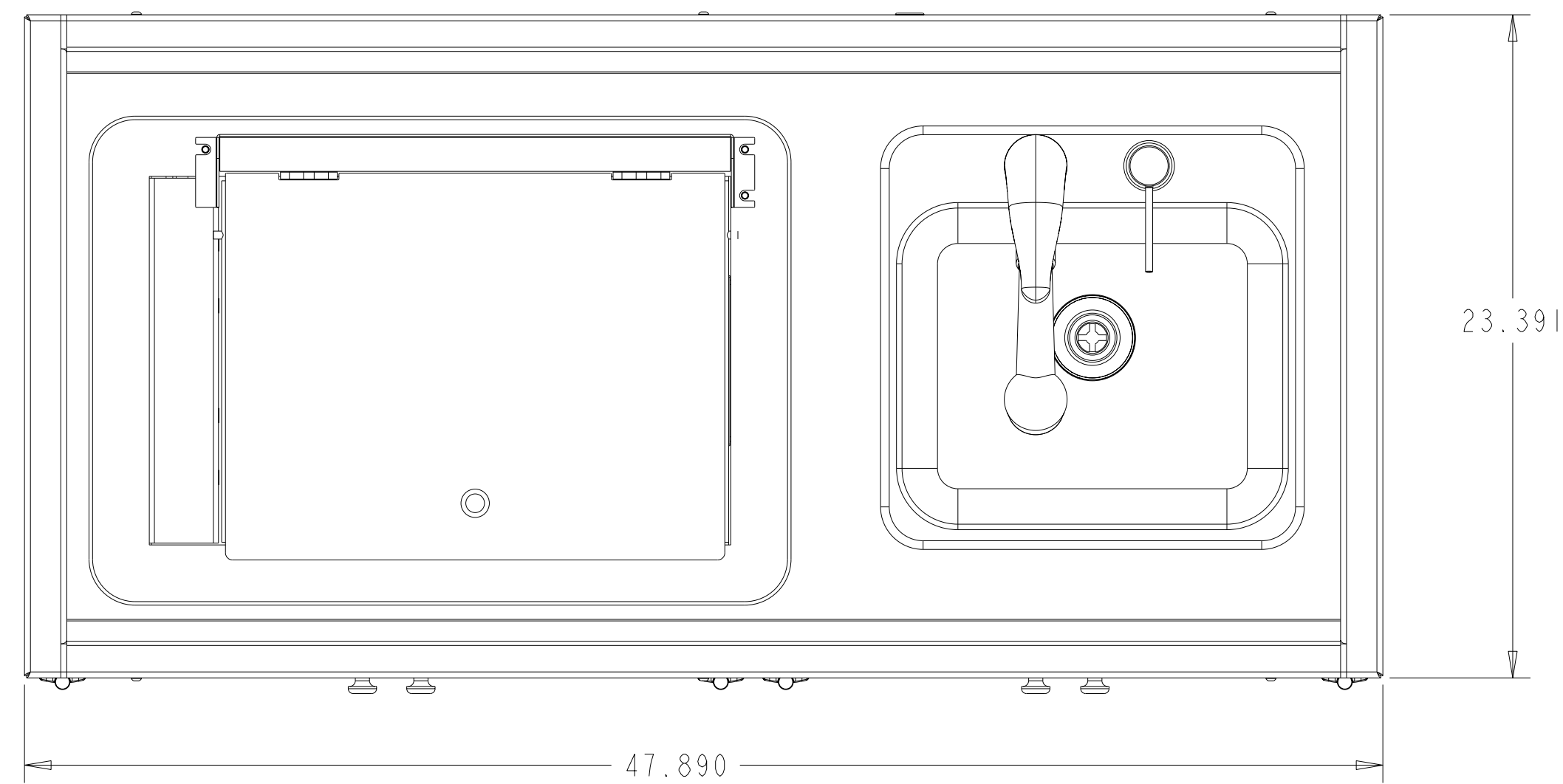
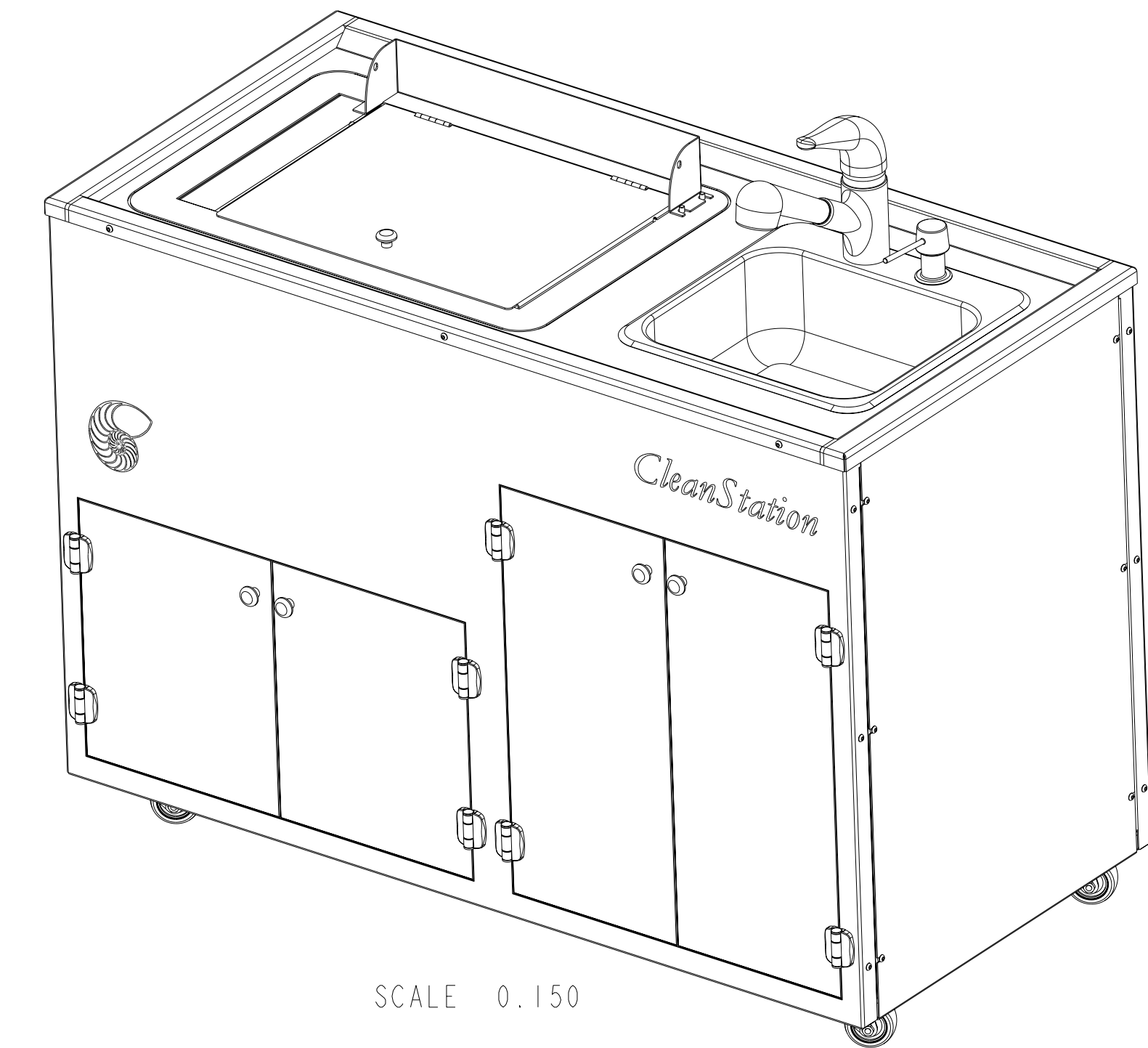


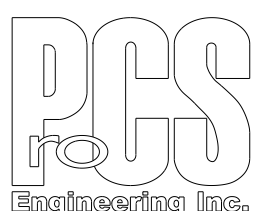
REVISIONS			
LTR	DESCRIPTION	DATE	APPROVED
A	RELEASE	7-5-01	



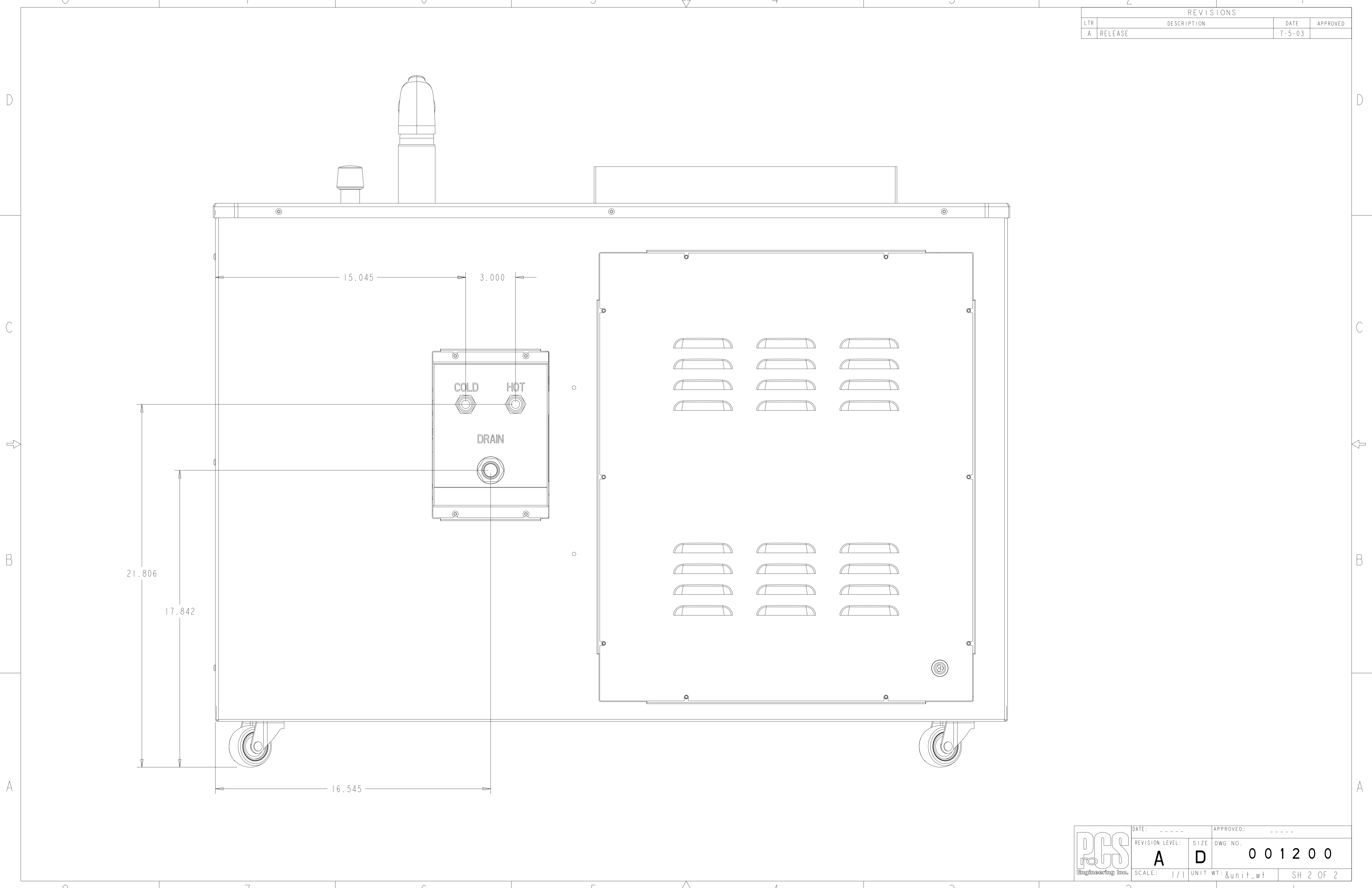
SCALE 0.200



SCALE 0.150

		UNLESS OTHERWISE SPECIFIED DIMENSIONS ARE IN INCHES TOLERANCES ON DECIMALS DECIMALS ANGLES .XX±0.01 .XXX±0.001 ±0.1°	DRAWN BY: JMB 12-06-01	PCS Engineering Inc. 25 Fourth St NW, Osseo, MN. 55369	
		DO NOT SCALE THIS PRINT	DESIGNED BY: -----		
		MATERIAL:	APPROVED: -----		
			MFG: -----	CLEANSTATION SRS-CS11	
			QA: -----	REVISION LEVEL: A SIZE D DWG NO. 001200	
			ENGINEERING MANAGER: -----	SCALE: 1/1 UNIT WT: SH 1 OF 2	
			R&D CONTRACT NO. -----		
NEXT ASSY	USED ON				
APPLICATION					

REVISIONS			
LTR	DESCRIPTION	DATE	APPROVED
A	RELEASE	7-5-03	



15.045

3.000

COLD

HOT

DRAIN

21.806

17.842

16.545

	DATE: -----	APPROVED: -----
	REVISION LEVEL: A	SIZE: D
SCALE: 1/1	DWG NO. 001200	UNIT WT: &unit_wt
		SH 2 OF 2