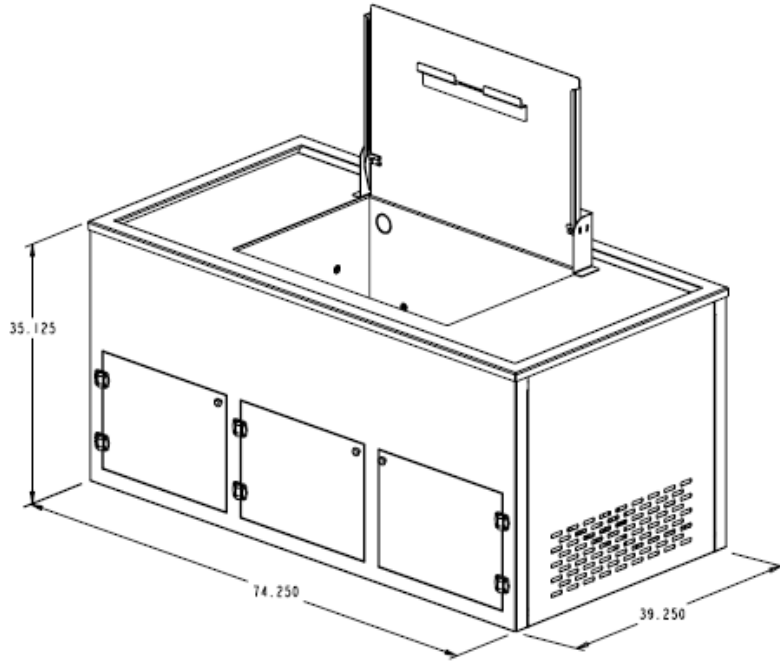


CleanStation XL Plus



TECHNOLOGIES



- **Work envelope: 25"x37"x25"**
- **Volume: 23125 cubic inches**
- **Weight: 1230lbs**
- **Patented heat, agitation, and flow technology**
- **Power requirement: 240v 3phase 50amp**
- **Warm up time (from cold start): 1.5 hours**
- **Warranty: 1 year**

Sales@PM3Tech.com
763-425-1383 ext 309

Support@PM3Tech.com
763-425-1383 ext 303

PO BOX 493 OSSEO, MINNESOTA 55369

VOICE: 763.425.1383 ■ www.PM3tech.com ■ FAX: 763.425.0970