

8 7 6 5 4 3 2 1

REVISIONS			
LT#	DESCRIPTION	DATE	APPROVED
A	RELEASE	12-10-08	

D

D

C

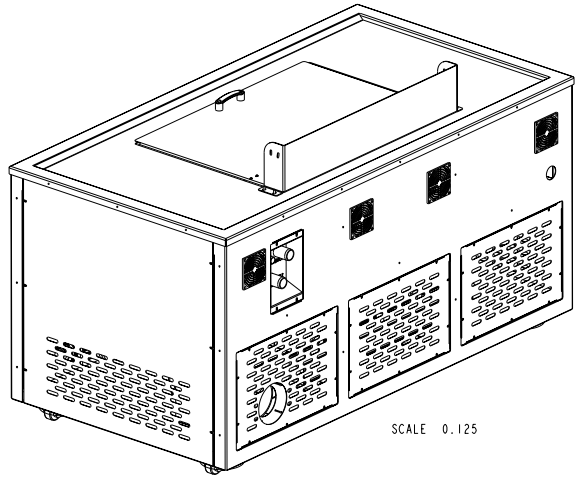
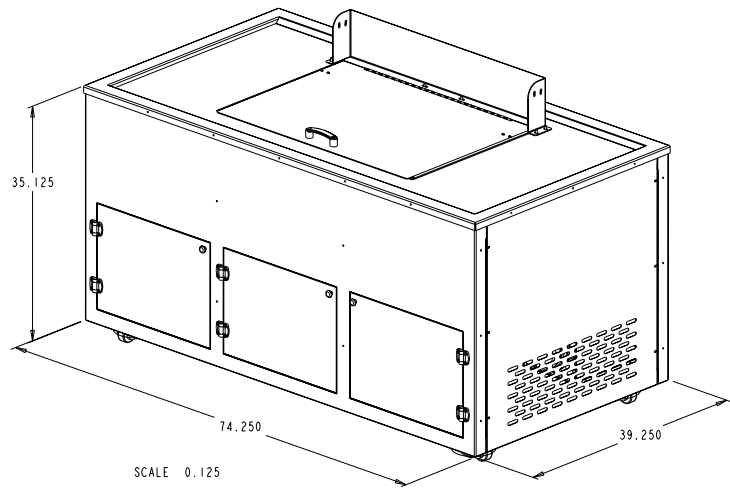
C

B


B

A

A



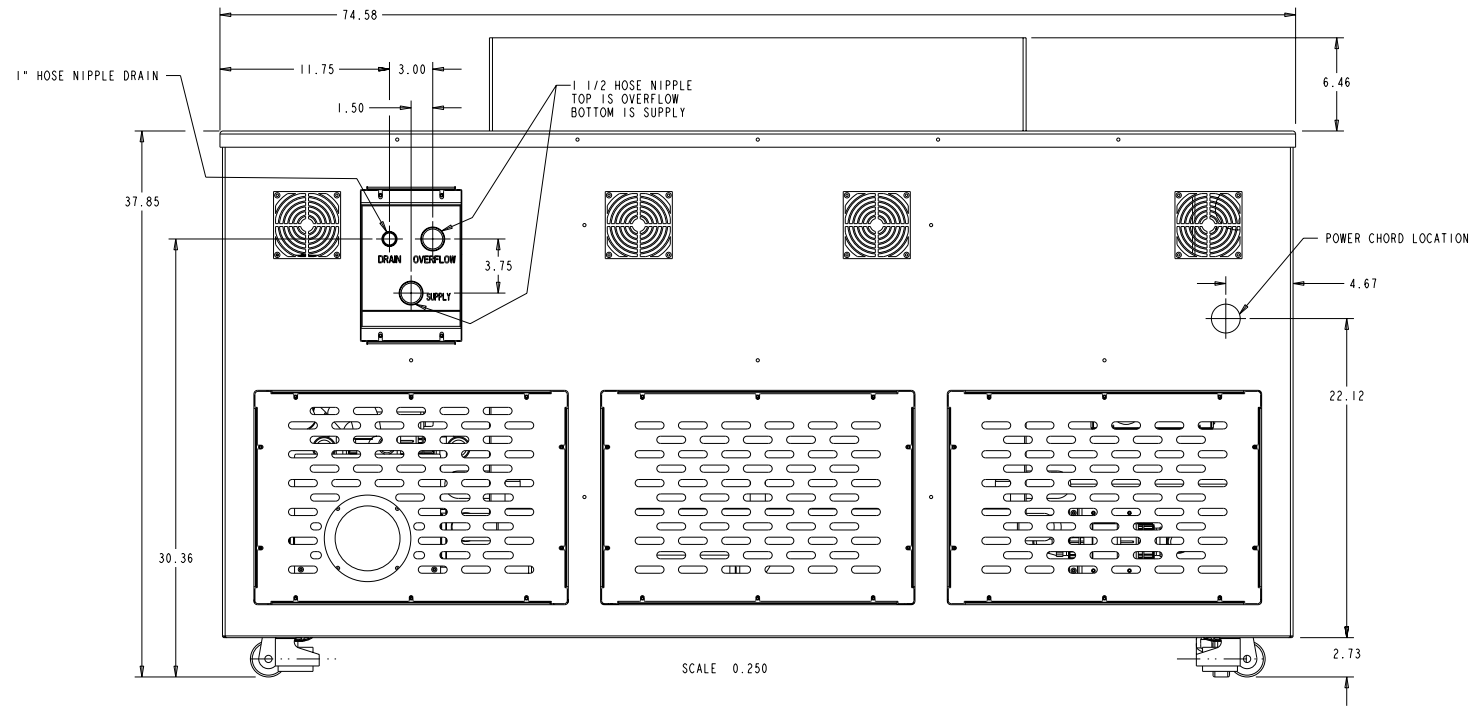
8 7 6 5 4 3 2 1

		UNLESS OTHERWISE SPECIFIED DIMENSIONS ARE IN INCHES		DRAWN BY: D.J.T 12-10-08		PCS Engineering Inc. 25 Fourth St NW, Osseo, MN. 55369	
		TOLERANCES ON DECIMALS: DECIMALS ANGLES .XX±0.01 .XXX±0.001 ±0.1°		DESIGNED BY:		 MAIN ASSEMBLY CLEAN	
		DO NOT SCALE THIS PRINT		APPROVED:			
		MATERIAL:		MFG:		REVISION LEVEL: SIZE DWG NO. A D 005000	
		N/A		QA:			
TOP LEVEL		RL3		ENGINEERING MANAGER:		SCALE: 1/1 UNIT WT: ? SH 1 OF 5	
NEXT ASSY USED ON APPLICATION				TRAD CONTRACT NO:			

8 7 6 5 4 3 2 1

REVISIONS			
LT#	DESCRIPTION	DATE	APPROVED
A	RELEASED	3-18-10	DJT

BACK OF XL - PLUS



D
C
B
A

D
C
B
A

8 7 6 5 4 3 2 1

	DATE: 3-18-10	APPROVED: D. TAFOYA
	REVISION LEVEL: A	SIZE: D
	SCALE: 1/1	DWG NO. 005000
	UNIT WT: n/a	SH 5 OF 5